

THE PERFORMANCE REVOLUTION OF DELUXE CONSTRUCTION



STRENGTH + DURABILITY

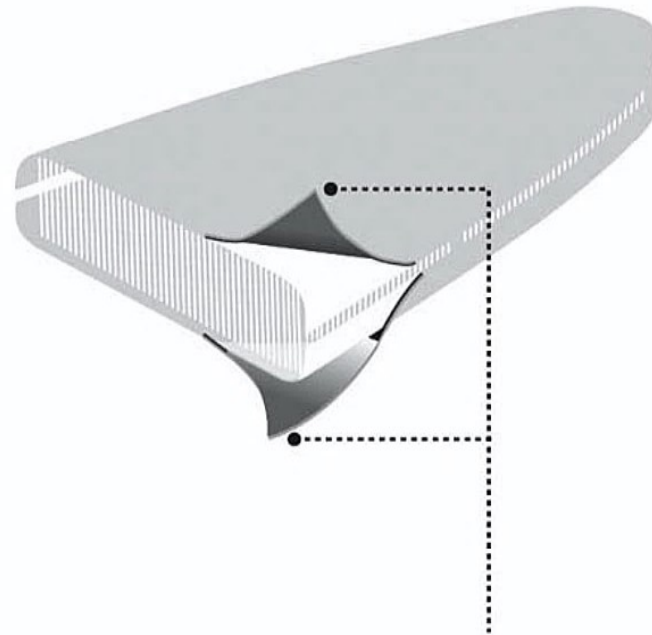
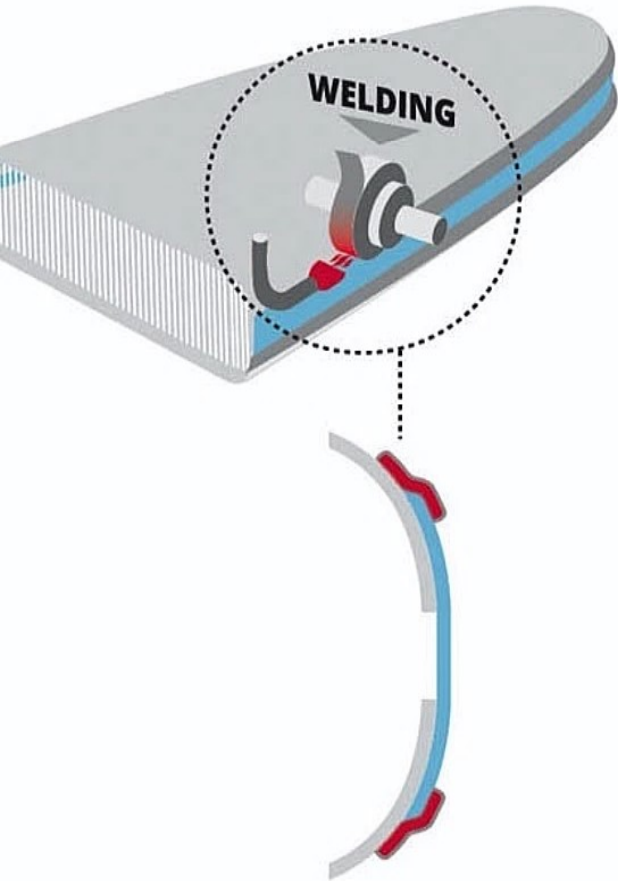


LIGHTER • STRONGER • STIFFER

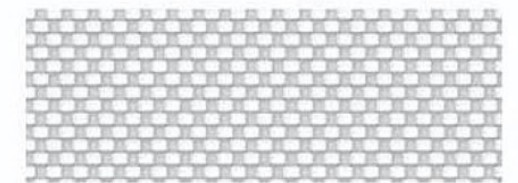
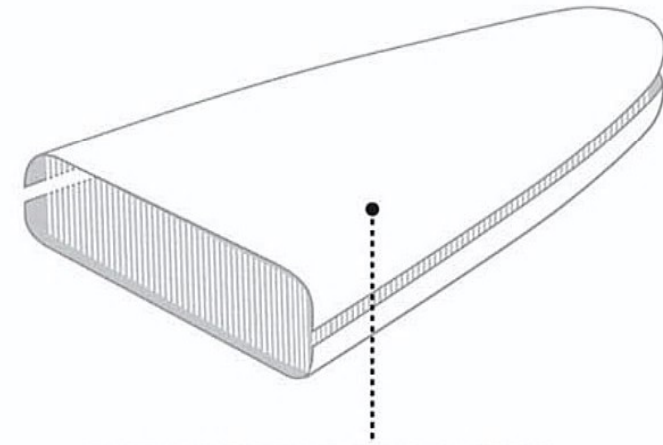


LIGHTER • STRONGER • STIFFER

= EXTRA LIGHT • STRONG • STIFF



FUSED LAYER,
ONE SHOT LAMINATION
GLUE FREE LAY UP



MORE RESPONSIVE
LESS YARNS = LESS STRETCH
LIGHTER + STIFFER